

Dimensions and OHL Ratings

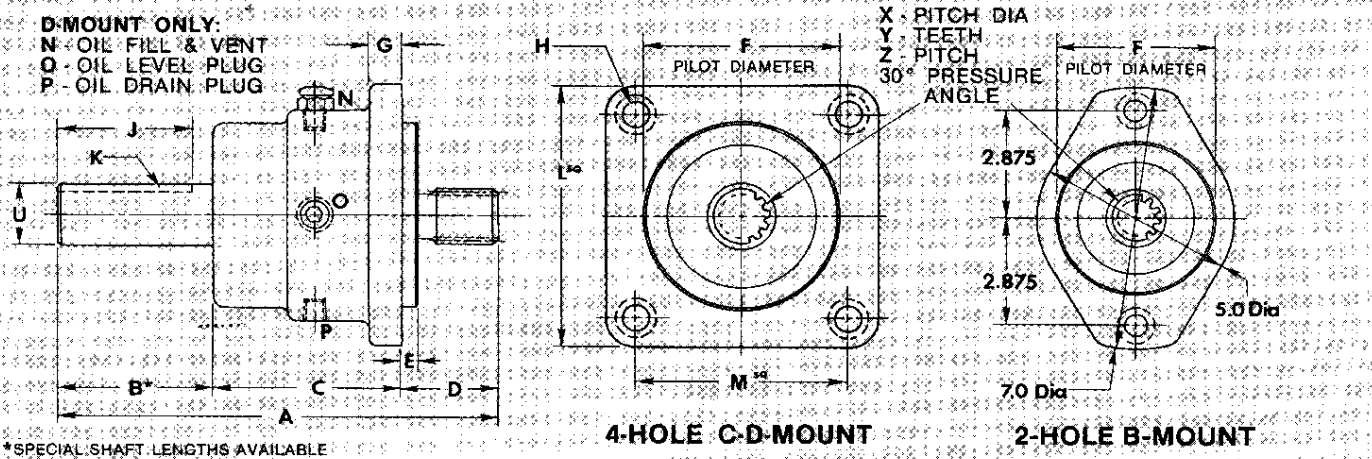


Table 2

MOUNT	A	B	C	D	E	F	G	H	J	K-Keyway	L	M	U	X	Y	Z
B	6.85	2.88	2.34	1.63	.312	$\frac{4.000}{3.998}$.500	17/32	2.25	5/32 x 5/16	7.00	—	$\frac{1.375}{1.374}$.813	13	16/32
C	9.21	3.66	3.44	2.11	.430	$\frac{5.000}{4.998}$.500	17/32	2.75	3/16 x 3/8	6.75	4.50	$\frac{1.500}{1.498}$	1.167	14	12/24
D	13.75	4.75	6.00	3.00	.430	$\frac{6.000}{5.998}$	1.000	13/16	4.25	1/4 x 1/2	8.50	6.36	$\frac{2.000}{1.999}$	1.625	13	8/16

All dimensions are in inches and are subject to change without notice. Please request certified dimensional prints for certified applications.

Table 3 **PERMISSIBLE OVERHUNG LOAD RATINGS – POUNDS**

SHAFT ASSEMBLY	B-10 HOURS	REVOLUTIONS PER MINUTE					
		500	1000	1500	2000	2500	3000
S.A.E. B-MOUNT BD-159 (New Departure #3207 Bearings)	112	1728	1402	1242	1140	1065	1008
	500	1103	896	793	728	681	644
	1000	896	728	644	592	552	523
	1960	732	595	526	483	452	428
	3000	645	523	463	425	398	376
	4100	587	477	422	387	362	343
	5100	549	446	395	363	340	321
S.A.E. C-MOUNT CD-266 (New Departure #3208 Bearings)	112	2370	1922	1704	1564	1461	1383
	500	1514	1230	1089	1000	935	884
	1000	1230	1000	884	813	768	718
	1960	1005	817	722	663	620	588
	3000	886	718	636	583	546	516
	4100	805	655	579	531	497	475
	5100	754	612	542	498	467	440
S.A.E. D-MOUNT DD-1311 (New Departure #1311 Bearings)	112	5768	4684	4147	3806	3559	3369
	500	3684	2991	2648	2431	2273	2152
	1000	2992	2429	2151	1975	1846	1748
	1960	2444	1985	1758	1614	1509	1428
	3000	2151	1747	1547	1420	1327	1257
	4100	1960	1591	1408	1293	1209	1144
	5100	1834	1489	1319	1210	1132	1071

- Maximum rated rpm: 5000 for B-Mount and C-Mount; 3600 rpm for D-Mount.
- Load ratings shown above are the maximum allowed at the mid-point of the input shaft extension and are based on the allowable radial load (and location relative to the mid-point of the shaft) of the New Departure bearings when operating at the various speeds shown at the expected B-10 life expectancy.
- C-Mount overhung load ratings can be INCREASED 150% when assemblies are provided with spherical roller bearings—at the list prices shown in light face in Table 1.
- D-Mount overhung load ratings can be INCREASED 200% when assemblies are provided with spherical roller bearings—at the list prices shown in light face in Table 1.
- B-Mount assemblies are not available with spherical roller bearings.
- Load ratings shown above can be used with timing belts with a 1.0 service factor. If V-belts are used, DIVIDE the load ratings shown above by 1.5.